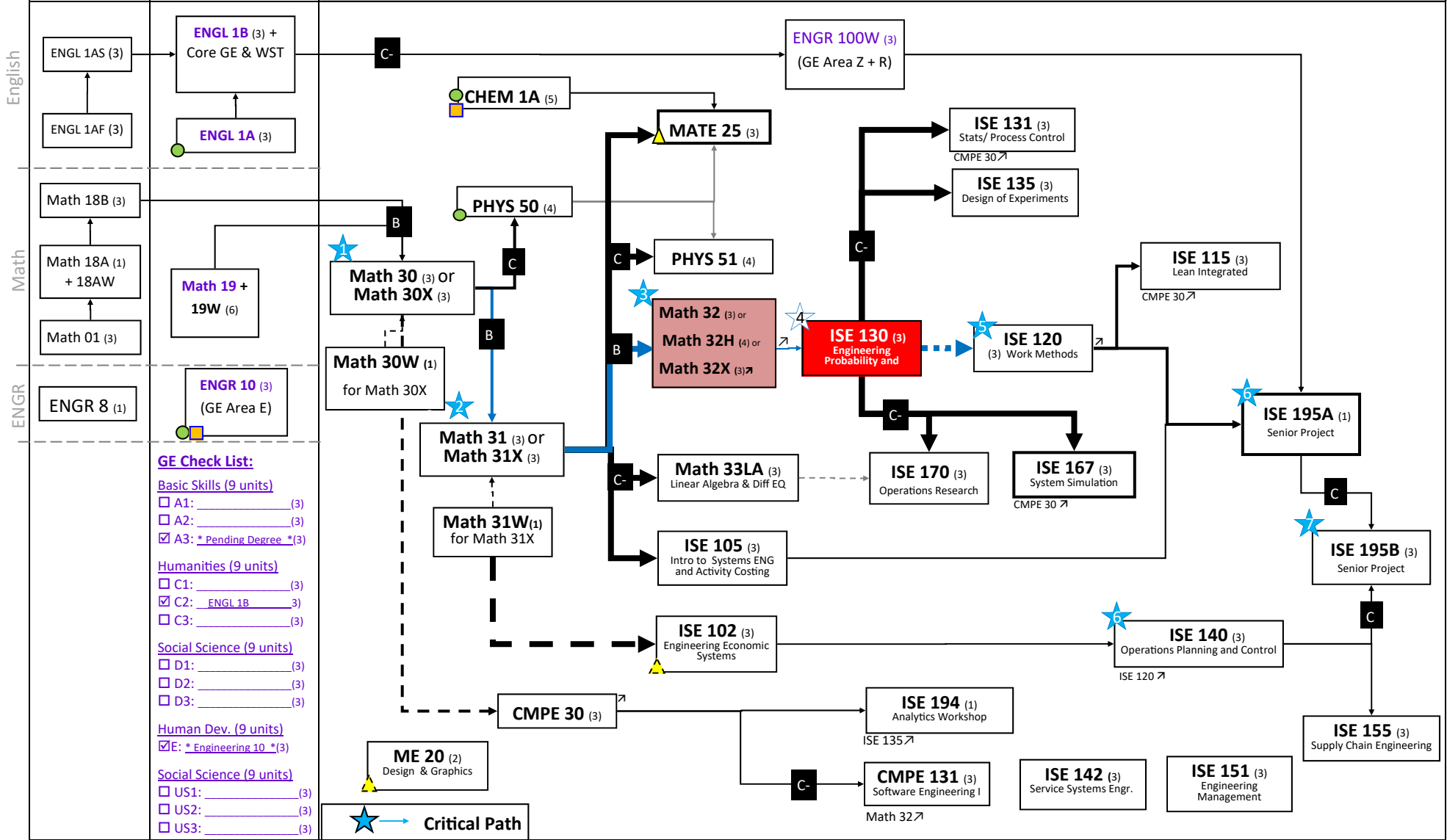


Fall 2020 Catalog Industrial & Systems Engineering (120 units)



→ Pre-requisite (↗ Additional Req.)
 - - - Co-requisite (↗ Additional Req.)
 ▲ ENGR 10 Pre-Requisite/Co-Req.
 ● English 1A Readiness Required
 ■ Math 19 Readiness Required
Generals Education

Additional Requirements:

Technical Elective Courses: _____ (6 units)

SJSU Studies: (9 units) R&Z: ENGR 100W (3) S: _____ (3) V: _____ (3)